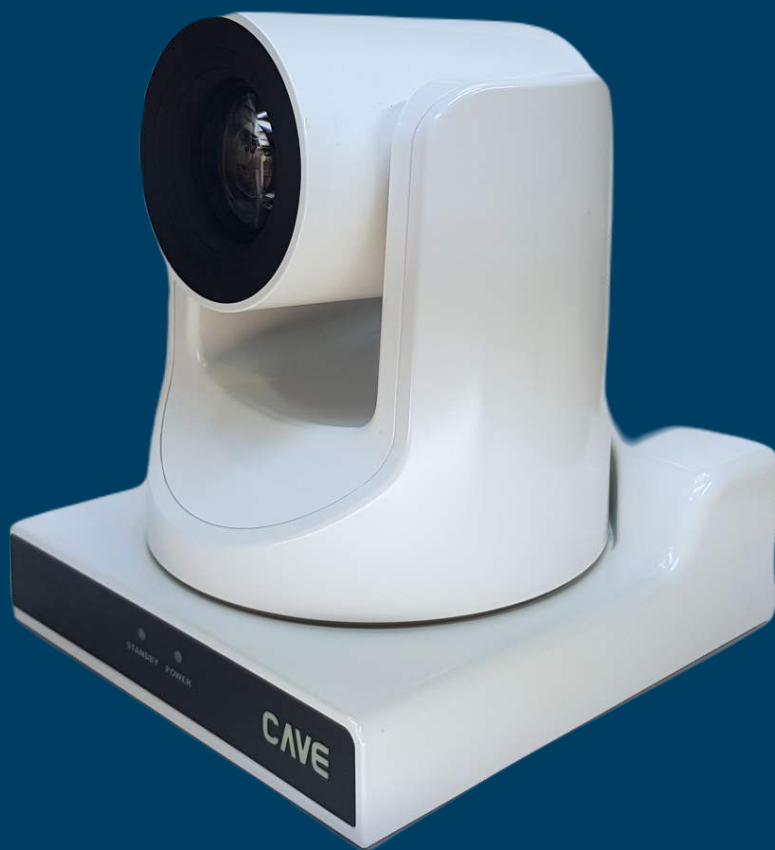


TEAMUP P20 PTZ Camera

Quick Setup Guide

快速安裝指南

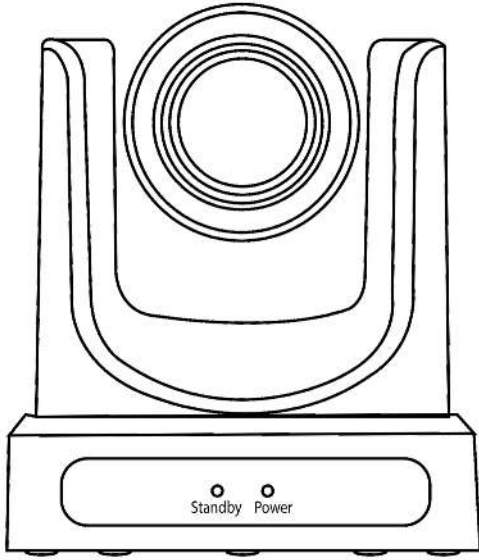


CAVE-TEK LTD.
sales@cave-tek.com
www.cave-tek.com



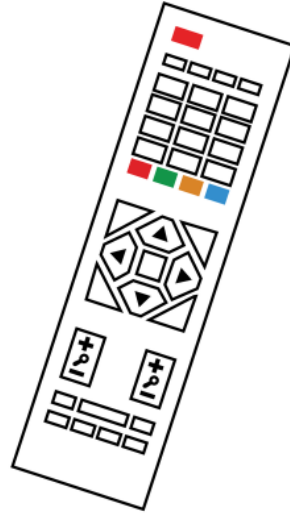
Package Details

產品內容



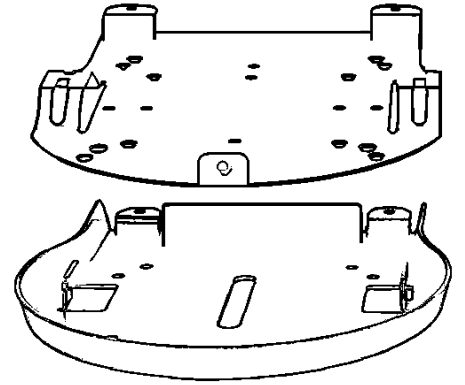
P20 CAMERA

攝影機



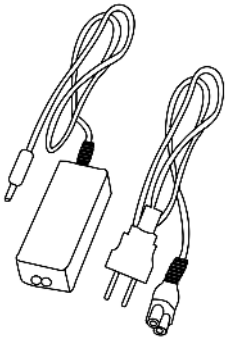
REMOTE CONTROL

遙控器



MOUNT KIT

吊掛架



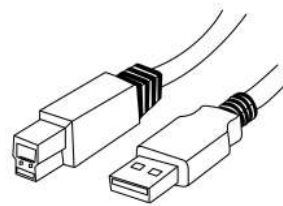
POWER ADAPTOR

變壓器



SETUP GUIDE

安裝指南



USB CABLE

USB線

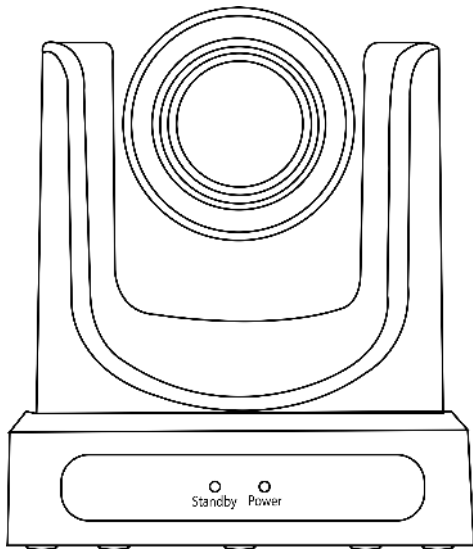


RS-232 CABLE

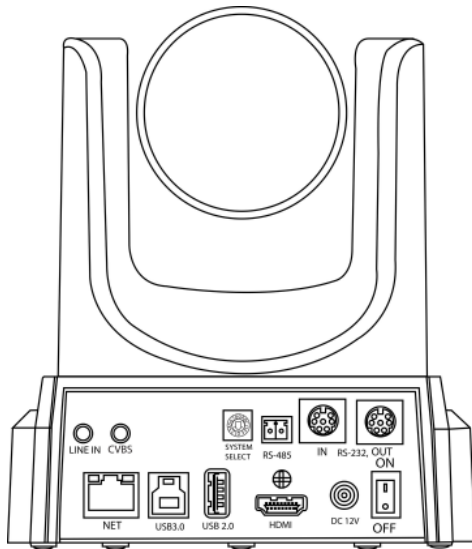
RS-232 線

Overview 產品介紹

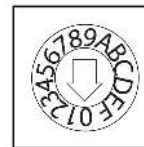
Physical 外觀介紹



FRONT
正面



BACK
背面

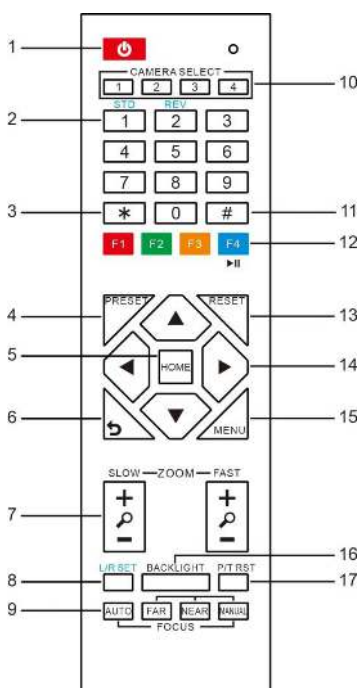


**SYSTEM
SELECT**

| Video System | | | |
|--------------|---------|---|---------|
| 0 | 1080p60 | 5 | 720p50 |
| 1 | 1080p50 | 6 | 1080p30 |
| 2 | 1080i60 | 7 | 1080p25 |
| 3 | 1080i50 | 8 | 720p30 |
| 4 | 720p60 | 9 | 720p25 |

VIDEO OUTPUT
輸出影像格式

Remote Controller 遙控器



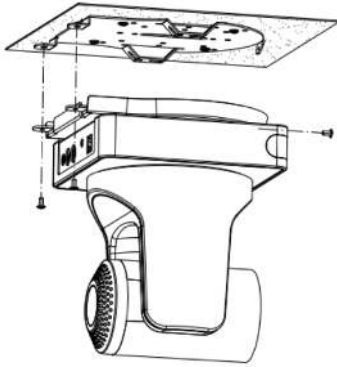
| Item | Name | Description | 說明 |
|------------------|-----------------------|--|--------------------------------------|
| 1 | Power Key | Power on / Power Saving. | 關閉攝影機進入待機狀態 |
| 2 | Number Key | Set / Go to the preset position. | 設定預設點/攝影機轉到該預設點 |
| 3 | *Key | Function key. (*) | 功能鍵 (*) |
| 4 | Preset Key | Set preset: Store a preset position. | 設定/儲存預設點 |
| | | SET Preset: [SET PRESET] + Numeric (0-9) | 設定預設點: [SET PRESET] + Number 鍵 (0-9) |
| 5 | HOME Key | Confirm Settings / Restore to the default position. | 儲存設定/將攝影機回復到預設點 |
| 6 | Return Key | Go back to the previous level | 回上一層 |
| 7 | Zoom Key | Slow Zoom In [+] or Zoom Out [-] | 慢速 Zoom In [+] or Zoom Out [-] |
| | | Fast Zoom In [+] or Zoom Out [-] | 快速 Zoom In [+] or Zoom Out [-] |
| 9 | Focus Key | Switch the focus setting | 切換 focus 模式 |
| 10 | Camera Select | Select the target camera | 選擇要控制的攝影機 |
| 11 | #Key | Function key. (#) | 功能鍵 (#) |
| 12 | IR Remote Control Key | [*]+[#]+[F1]~[F4]: Address 1, 2, 3, 4 | [*]+[#]+[F1]~[F4]: 設定攝影機 1~4 位置 |
| 13 | Reset Key | Erase a preset position setting. | 消除預設點設定 |
| | | [RESET] + Numeric button (0-9) | [RESET] + Number 鍵 (0-9) |
| 14 | PTZ Control Key | Press arrow buttons to perform camera panning and tilting. | 按下箭頭按鍵進行攝影機鏡頭水平 / 垂直移動 |
| 15 | Menu Key | Enter or exit the OSD menu. | 進入或離開OSD Menu選單 |
| 16 | Backlight Key | Enable/Disable the backlight compensation. | 啟動或停用背光補償。 |
| | Name | Description | 說明 |
| Function Key | [*]+[#]+[1] | Show English Menu | 顯示英文選單 |
| | [*]+[#]+[3] | Show Chinese Menu | 顯示中文選單 |
| | [*]+[#]+[4] | Show IP Address | 顯示IP 位址 |
| | [*]+[#]+[6] | Reset System | 重置系統設定 |
| | [*]+[#]+[8] | Show FW Info. | 顯示韌體資訊 |
| | [*]+[#]+[9] | Set Vertical flip | 設定畫面垂直翻轉 |
| [*]+[#]+[MANUAL] | Set to DHCP mode | 設定為DHCP模式 | |

Quick Installation Guide

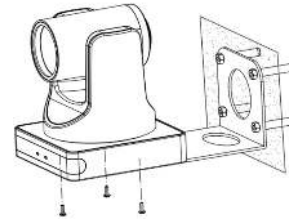
快速安裝指南

1. Install 安裝

Place the camera on the table or place the camera on the wall or ceiling.
將攝影機安裝於桌上,天花板或是牆壁。



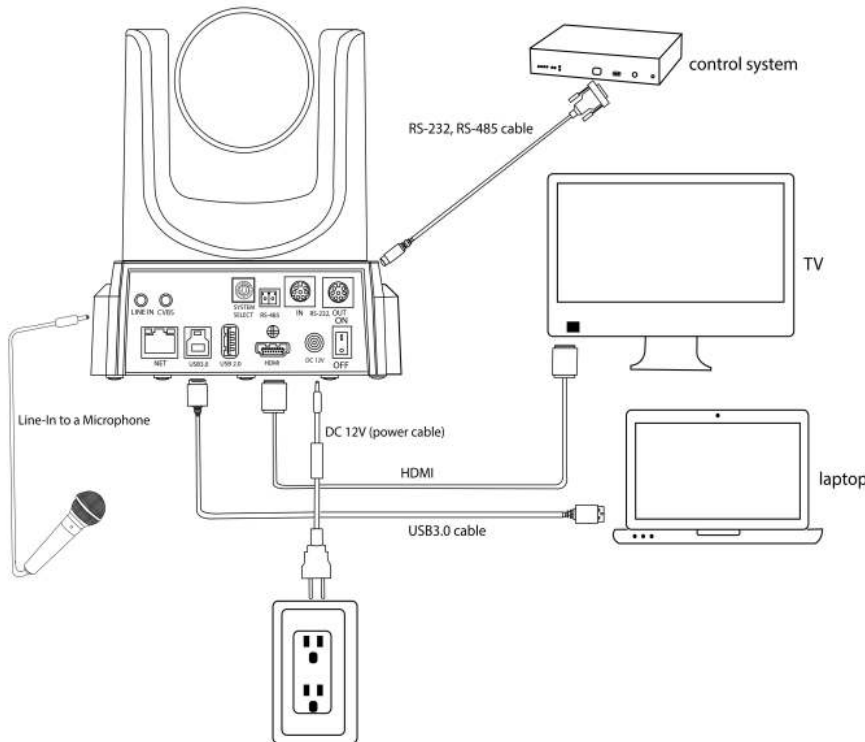
Ceiling Mounting.
(Included)
天花板吊掛方式。
(吊掛架標配)



Wall Mounting.
(Optional)
壁掛方式。
(壁掛架選配)

2. Connect 連接

Connect the (HDMI/IP) cable to display or (and) the USB cable to your computer.
連接HDMI/IP 至顯示器, 連接 USB 至電腦。



Connect the audio cable, RS-232 cable, network to the external system. (Optional)
連接音源線, RS-232線, 網路線至外部系統. (非必要)

3. Power On 開機

Turn on the camera and the camera head will rotate to the default position.
開啟攝影機電源,攝影機將開始轉動至預設位置。