

4K AI PRO PTZ CAMERA



ULTRA 4K HD OUTPUT

Apply SONY 1 / 1.8 inch UHD CMOS sensor, support up to 4K (3840x2160) resolution high quality image.

SPEAKER AI AUTO TRACKING

One click to enable the AI auto tracking to detect and follow the speaker automatically without complicated configuration.

SUPPORT USB AND WIRELESS BYOM

Support USB video output for Windows, MAC to enable the high-quality video conference on your laptop or via Wireless BYOM (Bring Your Own Meeting) Solutions.

60° WIDE FOV + 20X OPTICAL ZOOM

Apply high quality 4K super telephoto lens, support 60° wide range Field of View, 20x optical zoom, and 16x digital zoom.

HDMI, SDI, IP, USB VIDEO OUTPUT

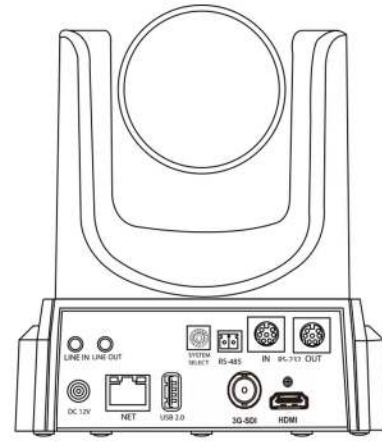
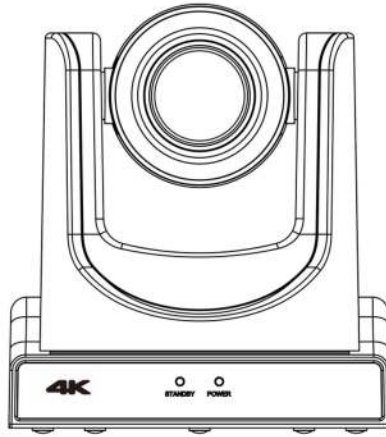
Support video output via HDMI, 3G-SDI, USB, and LAN for the flexible deployment.

SUPPORT RS-232, 485 AND POE POWER

Support RS-232, RS-485 remote control and the POE power supply.



Technical Specification:



Model	TX20i
Camera	
Video System	4KP(3840x2160)@60/59.94/50/30/29.97/25fps, 1080P@60/59.94/50/30/29.97/25fps, 1080I@60/59.94/50fps, 720P@60/59.94/50fps
Image Sensor	1/1.8", Low Noise CMOS Image Sensor
Lens characteristics (wide to tele)	20x optical zoom, f=6.7 mm to 125 mm, F1.58 to F3.95; Horizontal Field of View: 60° to 3.5°, Vertical Field of View: 35.7° to 2.0°
Video S/N, Minimal Illumination	≥55dB, 0.5 Lux @ (F1.8, AGC ON)
Advanced camera processing	Autofocus, White Balance (Auto, Indoor, Outdoor, One Push, Manual) Backlight Compensation, 2D&3D Digital Noise Reduction
Pan / Tilt Angle and Speed	Pan: ±170° rotation, speed: 1.7° to 100°/sec, Tilt: -30° to +90° rotation, speed: 1.7° to 69.9°/s
Camera Control Protocol	VISCA/Pelco-D/Pelco-P (RS-232/RS485), VISCA over IP (RJ-45), ONVIF (RJ-45), UVC (USB)
USB Feature	
Operation System	Windows® 7, Windows 8.1, Windows 10 or higher macOS™ 10.10 or higher Google™ Chromebook™ 29.0.1547.70 or higher
Color System / Compression	YUY2 (Up to 1080@30fps) H.264(AVC/SVC) / MJPEG / H.265 (Up to 2160@60fps)
USB Video Communication Protocol	UVC 1.5, PTZ Control.
IP Camera	
Video Compression	H.265 / H.264 / MJPEG
Video Bit Rate and Type	32Kbps ~ 20480Kbps, Variable and Fixed Rate
Audio Compression and Bit Rate	AAC, 48/64/96/128 Kbps
Support protocols	TCP/IP, HTTP, RTSP, RTMP, ONVIF, Multicast, NDI (Optional).
Interface	
Video Output	1xHDMI (Version 2.0), 1x3G-SDI (BNC Interface)
Audio Input/Output	1xLine In (3.5mm audio jack), 1xLine Out (3.5mm audio jack)
Network Interface	1xRJ-45 Ethernet (10M/100M/1000M);POE;
USB Interface	1xUSB (Type A)
Communication Interface	1xRS232 In (8pin Mini DIN), 1xRS232 Output (8pin Mini DIN), 1xRS485
Power Jack	JEITA Type (DC IN 12V)
General specification	
Input Voltage	DC 12V / POE(802.3af)
Power Consumption	12W (max)
Temperature Range	Operating: -10°C ~ 40°C
Dimension (WxDxH)	142mm x 169mm x164mm
Weight	1.35Kg
Inside the box	
Package	Camera, Power Adaptor, Remote Control, Quick Guide, Warranty Card

Specifications are subject to change without prior notice.

Copyright ©2024 CAVE-TEK. All rights reserved.